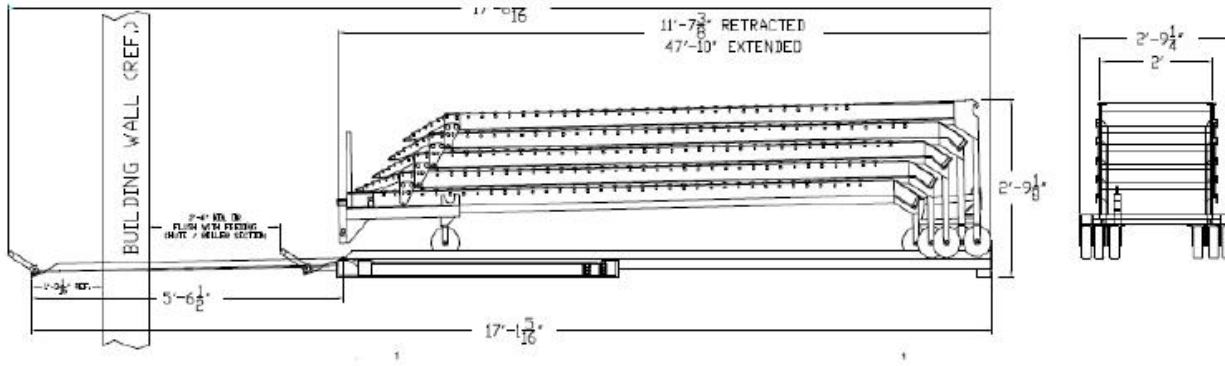




TELESCOPING GRAVITY LOADER

The Telescoping Gravity Loader is designed to assist in the loading of cargo in 48' and 53' trailers without built-in roller conveyors. It is mounted on a base that allows the unit to span the gap at the dock door to allow the gravity conveyor to be rolled manually into the trailer. The unit telescopes manually to allow for loading and collapses manually as the trailer gets loaded. Under normal use, the Telescoping Gravity Loader is hooked to a chute connecting it to the system.

The pictures above show a gravity conveyor under a load chute without a base. The unit can be made longer or shorter upon request.



SPECIFICATIONS:

FRAME: Five Section Aluminum Side Rails with Steel Legs for the Wheels.

ROLLERS: PVC Rollers with Steel Rollers in High Impact Areas;
24.00 Inches Wide, 3.00 Inches on Center, 1.90 Inch Diameter.

CAPACITY: 50 Pounds per Linear Foot.

DIMENSIONS:	<u>RETRACTED</u>	<u>EXTENDED</u>	<u>OVERALL HEIGHT</u>
	11' 7-3/8"	47' 10"	2' 9-1/8"

2005 Model – Units have been used less than 10 times

Sell new for over \$4,200

\$2,500 each (3 Available)